

EF60 Series

Project _____

Type _____

Date _____

Address _____

Company _____



INDOOR / OUTDOOR
RATED



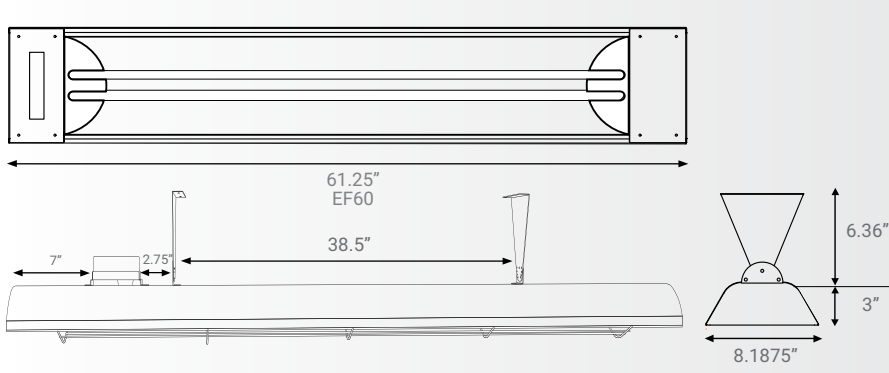
Intertek

Color Options

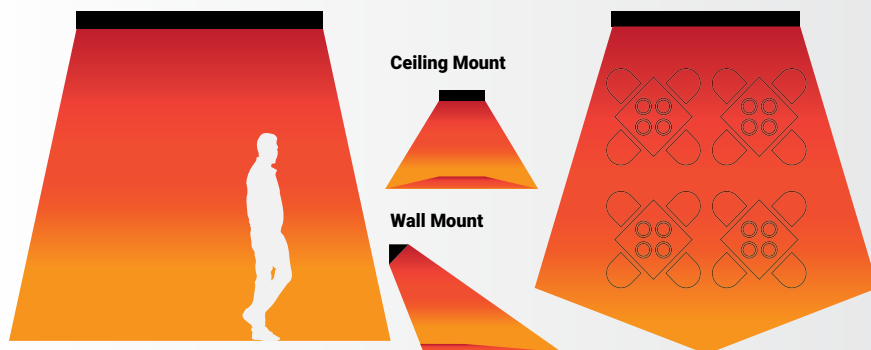


FEATURES

Designed using a mix of functionality and style, these 6000-watt heaters use quartz heating elements and include 6-inch wall/ceiling brackets. The heating range for the Eurofase 61-inch 6000-Watt Dual Element heater is approximately 11 feet x 11 feet (121sqft).



HEAT COVERAGE AREA: 11'x11' (121sq.ft.)



Optimal Mounting Height: **8'-10'**

SPECIFICATIONS

WATTAGE	6000 Watts
FAMILY/ SERIES	EF60
VOLTAGE RATING	208V, 240V, 277V, 480V
TOTAL AMPS	28.8A**, 25A, 21.7A, 12.5A**
FINISH	Black, Stainless Steel, White, Custom
CONSTRUCTION	Stainless Steel (304 SS)
HEATING AREA (Approximate)	11'x11' (121sq.ft.)
COMPATIBLE ELEMENTS	EF30208E, EF30240E, EF30277E, EF30480E
MOUNTING OPTIONS	Wall/ Ceiling/ Flush/ Pole*
MOUNTING ANGLE (Wall/Ceiling)	30°/45°
MOUNTING ANGLE (Pole)*	0°/15°/30°/45°/60°
LENGTH	61.25"
HEIGHT	8.1875"
DEPTH(With 6.36" Brackets)	9.36" (6.36"+3")
WEIGHT	14.8 LBS
INFRARED HEAT TECHNOLOGY	MEDIUM WAVE
IPX RATING	IPX4
WARRANTY	3 year

Actual output wattage ranging 90% to 105% of the rated output wattage.
** Load calculation may change on a 3-phase system feed.

SPECIFICATION GUIDE

WATTAGE	CODE	VOLTAGE	CODE	FINISH	CODE	DECOR PLATE	DECOR PLATE CODE
6000W	EF60	208V	208	STAINLESS STEEL	S	CHEVRON	1
		240V	240	BLACK	B	CLOVER	2
		277V	277	WHITE	W	MASON	3
		480V	480	CUSTOM	CS (RAL#)	ASTRA	4
						BRIX	5
						STELLA	6
						ADMIRAL	7

ORDERING GUIDE EXAMPLE:

6000W + 277V + STAINLESS STEEL FINISH = EF60 + 277 + S = EF60277S

ORDERING GUIDE EXAMPLE:

6000W + 277V + STAINLESS STEEL FINISH + DECOR PLATE CHEVRON = EF60 + 277 + S+1 = EF60277S1